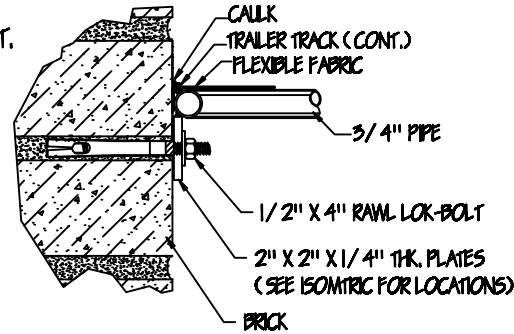
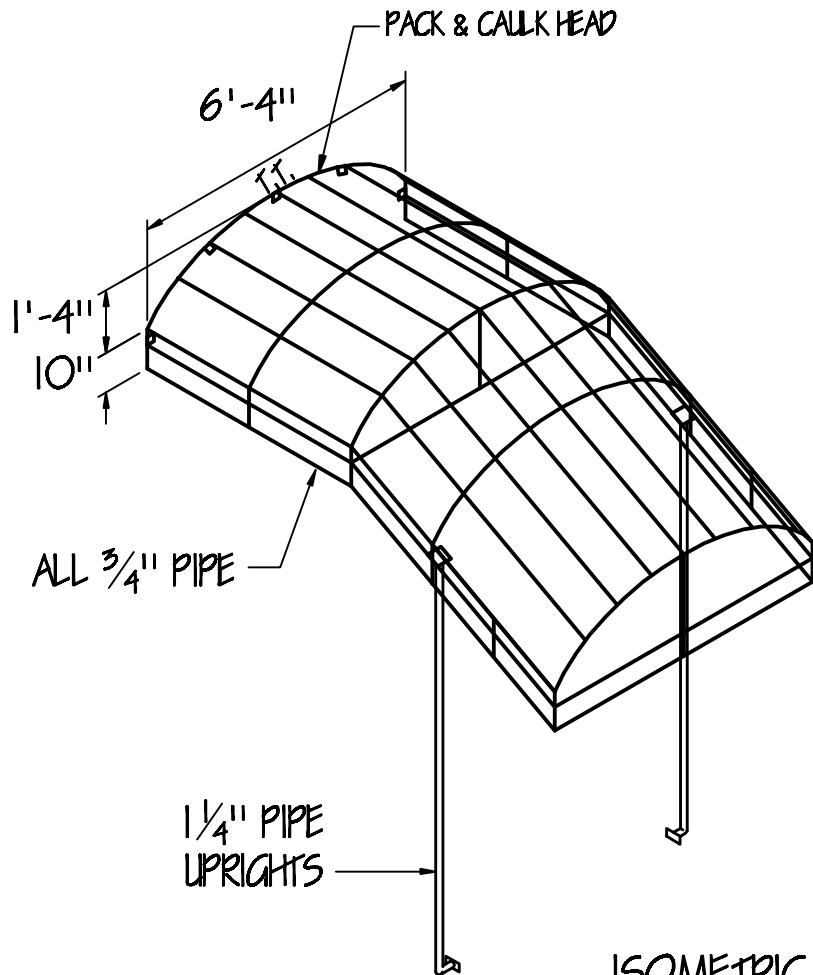


NOTES:

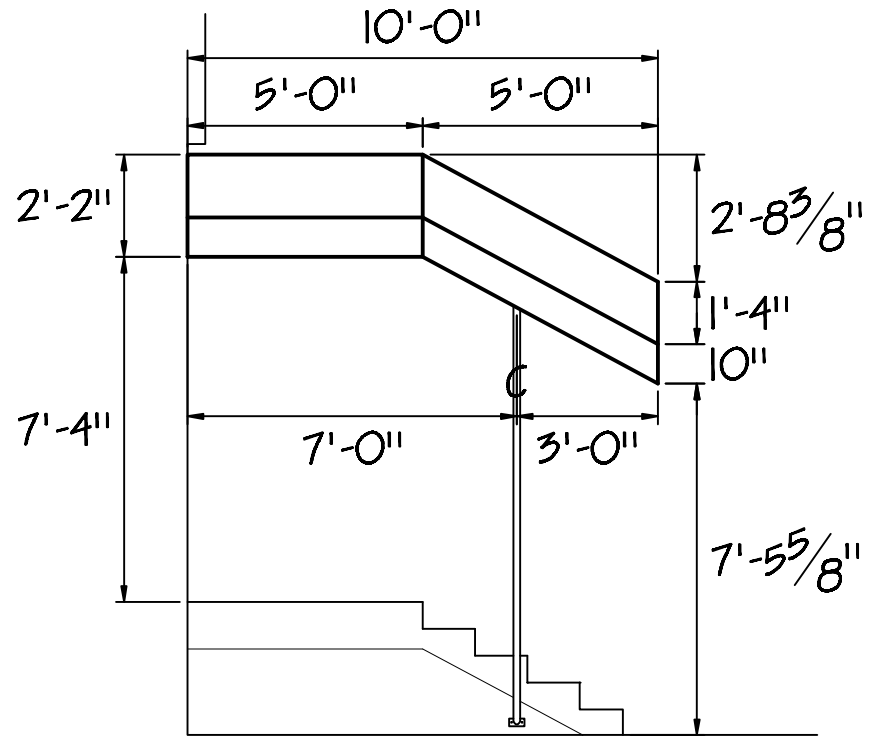
1. ALL PIPE TO BE 50/55 WITH GATORSHIELD BY Allied TUBE AND CONDUIT.
 2. ALL OTHER STEEL SHALL BE A36.
 3. COVER ALL WELDS WITH CORROSION RESISTANT COATING.
 4. ALL CONNECTIONS SHALL BE FULLY WELDED.
 5. FRAME COLOR TO BE SILVER.
- FABRIC TO BE CP 2811 GLADE GREEN WITH LINEN BACK.



HEAD MOUNTING DETAIL



ISOMETRIC



SIDE ELEV.

PROJECT: U.S. Coast Guard

DRAWN BY: I.L.B.4

DATE: 3-26-2010

SCALE: 1/4"=1'-0"

SHEET 1 OF 1



CARROLL AWNING COMPANY

MANUFACTURERS OF CUSTOM AWNING PRODUCTS
 2955 FREDERICK AVENUE BALTIMORE MARYLAND 21223
 BALTO. 410-945-0022 1-800-999-5617 410-947-7229