
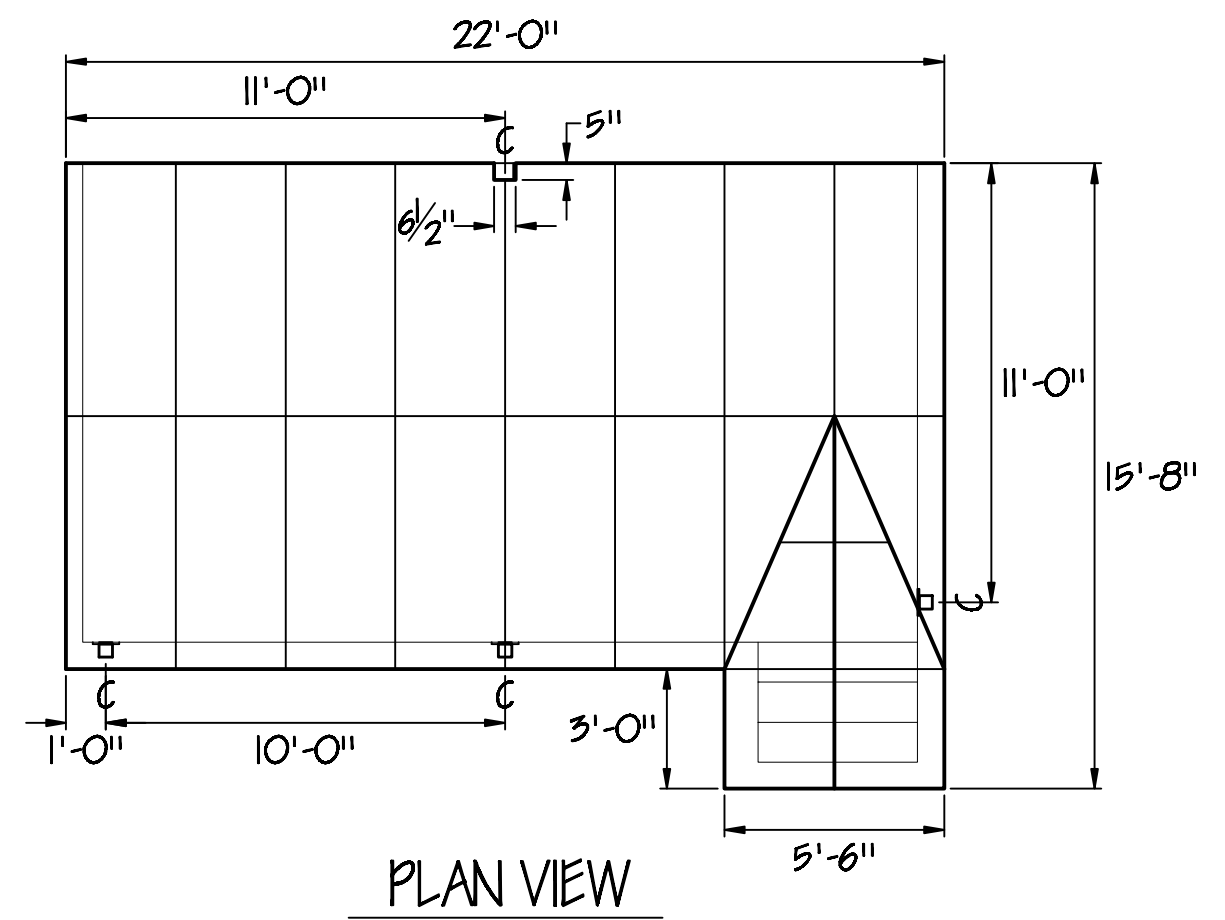
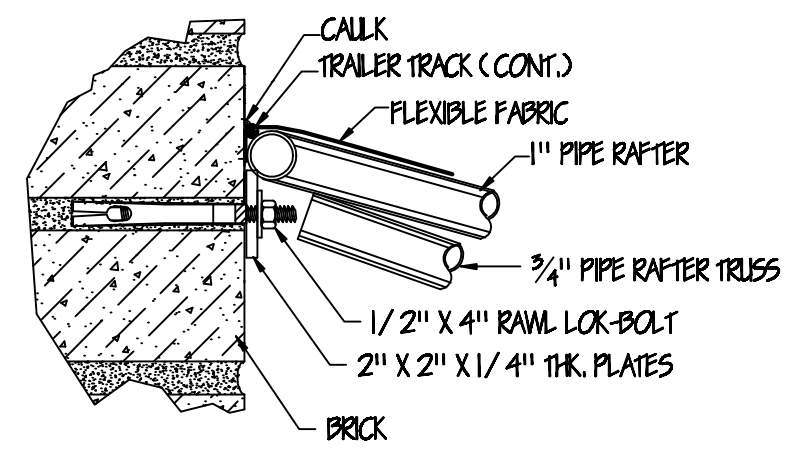
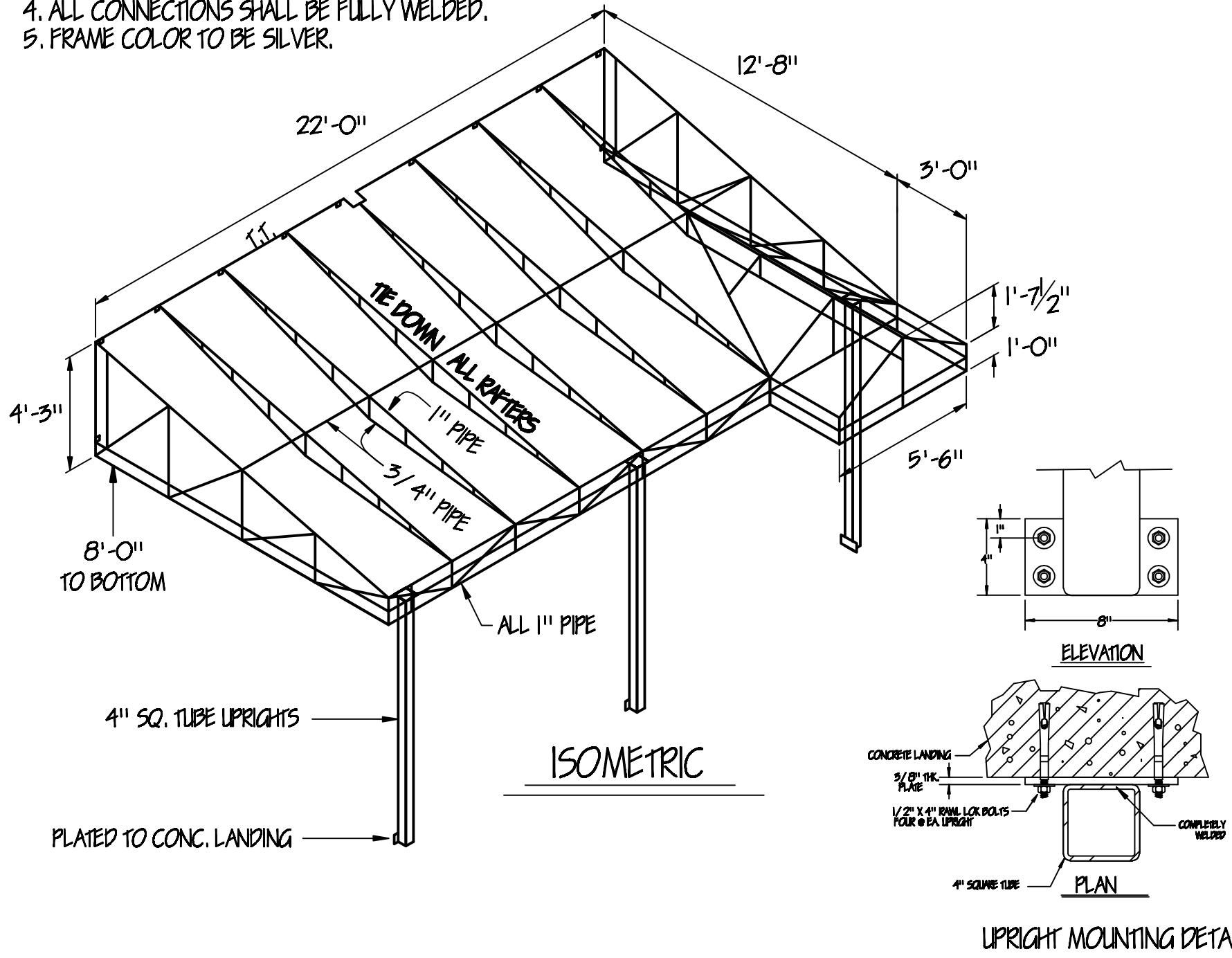


NOTES:

1. ALL PIPE TO BE 50/55° WITH GATORSHIELD® BY  ALLIED TUBE AND CONDUIT.
2. ALL OTHER STEEL SHALL BE A36.
3. COVER ALL WELDS WITH CORROSION RESISTANT COATING.
4. ALL CONNECTIONS SHALL BE FULLY WELDED.
5. FRAME COLOR TO BE SILVER.



PROJECT: Proctor and Gamble	
DRAWN BY: I.L.B.4	SCALE: NONE
DATE: 2-26-2010	SHEET 1 OF 1



CARROLL AWNING COMPANY
 MANUFACTURERS OF CUSTOM AWNING PRODUCTS
 2955 FREDERICK AVENUE BALTIMORE MARYLAND 21223
 BALTO. 410-945-0022 1-800-999-5617 410-947-7229
www.carrollawning.com